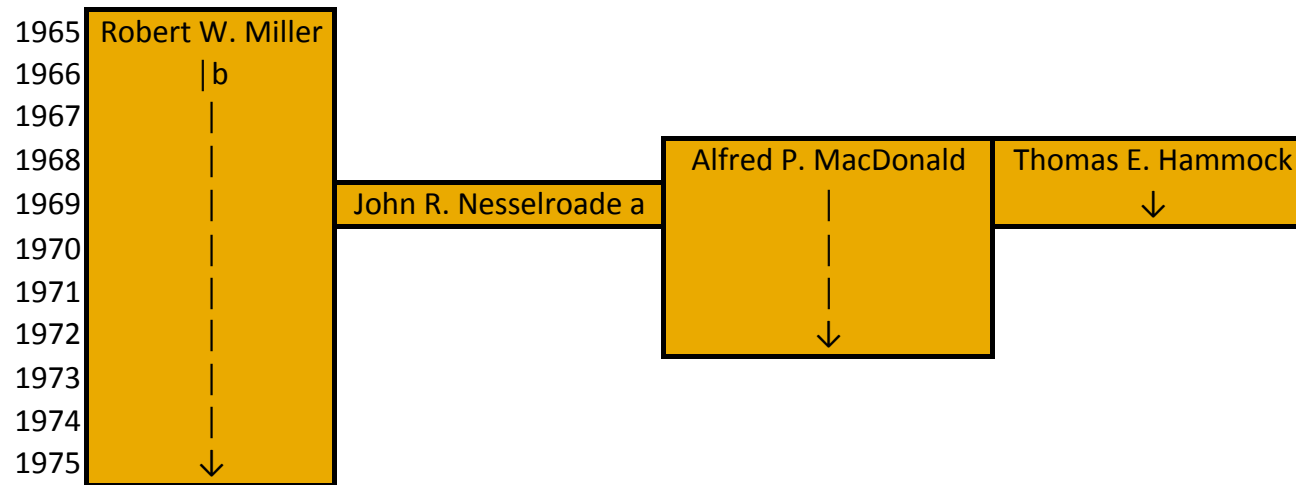


Personality and Social Psychology (1969-1970)

Based upon its success in creating a graduate program in life span developmental psychology, the department began to recruit faculty and graduate students with interests in teaching and research in Personality and Social Psychology. Unfortunately, the success of this program never materialized and it was disbanded.



a = from Life Span Developmental Psychology area to coordinate the Personality Social Psychology area

b = Director of Office of Research and Development at WVU; moves to Systems Psychology following re-organization in 1976